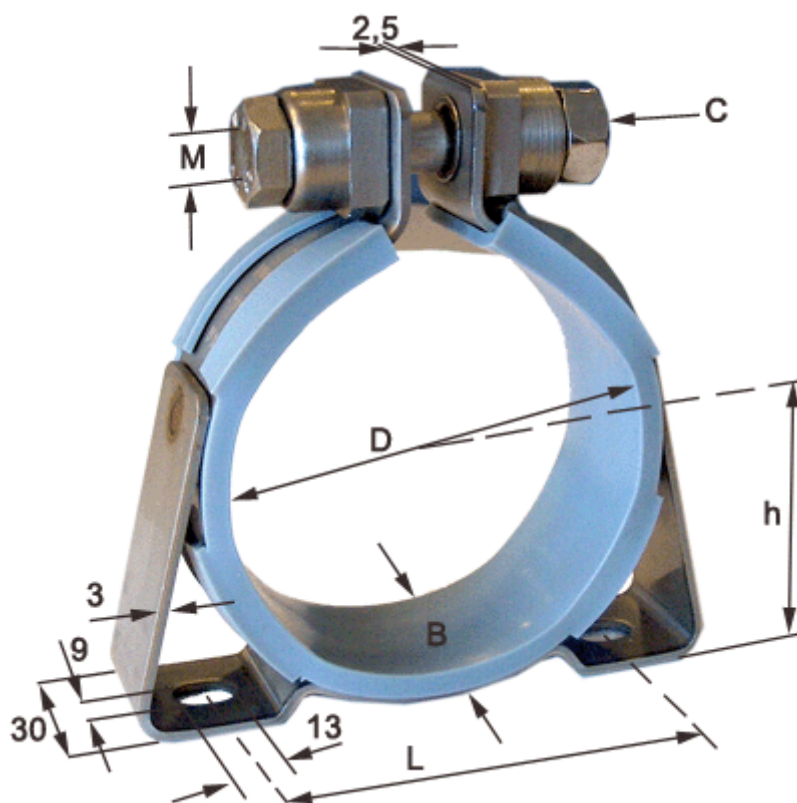


Article number: 021816011182

Description: Clamp with bracket and rubber
SPGU 6011. 182/30 SK

Measures



C (screw type) = SK hexagon screw

Diameter D = 182

h = 100

L = 148

Width B = 30